

IP-4DM-F36-EA

4MP Pro AI Full-color Fixed-focal Dome Network



- 1/1.8" 4Megapixel progressive scan CMOS
- H.265 & H.264 triple-stream encoding
- 25/30 fps@2688 × 1520, 50/60 fps@1080 (1920 × 1080)
- WDR (140 dB), Day/Night (Electronic), 3D DNR, AWB, AGC, BLC
- Multiple network monitoring: Web viewer, CMS, VMS
- 3.6 mm fixed lens
- 1/1 Alarm in/out, 1/1 audio in/out
- Micro SD memory, IP67, IK10



System Overview

Pro AI series contains Face Detection, Perimeter Protection and People Counting functions. Powered by deep-learning Artificial Intelligence algorithms, significantly improved accuracy. Meanwhile, the series features starlight technology. This series fully protected from dust and water, certified to IP67 and vandal resistant to IK10 standard.

Functions

Face Detection

Face Detection is a software application that automatically captures faces from within a digital image or a video frame from a video source. Empower cameras use advanced deep learning algorithms and are trained by a large number of face data sources, enabling the camera to locate faces quickly and accurately from the video source and capture facial images.

Perimeter Protection

Empower's Perimeter Protection functions significantly improved accuracy. Perimeter Protection reduces false alarms and decreases pixel count requirements for object detection. Perimeter Protection features custom tripwires based on object type for automation in limited access areas such as pedestrian or vehicle-only zones. This combination of advanced AI analytics and real-time alerts to a desktop or to a mobile client reduces system requirements and resources resulting in greater surveillance system efficiency.

People Counting

People Counting function uses advanced image processing technology to capture depth information from within images. The camera pairs this information with deep learning algorithms to analyze and detect human bodies and track target objects in real time. The camera provides statistics for separate individuals' entrance and exit with up to 95% counting accuracy.

ePoE technology

The ePoE technology of Empower, designed internally, adopts advanced 2D-PAM3 coding modulation from physical layer, and realizes full duplex transmission over 800 meters at the speed of 10Mbps, or 300 meters at the speed of 100Mbps via Cat 5 or coaxial cable media. Besides, it supports PoE and PoC power supply technology which has greatly simplified construction and wiring. Empower ePoE technology offer a new way to accomplish long distance transmission between IP camera and network switch. It allows more flexible surveillance system design, improves reliability and saves construction and wiring cost.

Protection(IP67, IK10, wide voltage)

The camera allows for ±30% input voltage tolerance, suitable for the most unstable conditions for outdoor applications. Its 6KV lightning rating provides effective protection for both the camera and its structure against lightning. Subjected and certified to rigorous dust and immersion tests (IP67) and impact tests (IK10), the camera is the choice for installation in even the most unforgiving environments.

Night-color Starlight

The camera adopts F1.0 large aperture lens and 1/1.8" high performance sensor. With higher amount of absorbed light and advanced image processing algorithm, the camera presents an impressive low light performance with an exceptional balance between noise reduction and the blur of moving object.

Technical Specification

Camera

| | |
|--------------------------|---|
| Image Sensor | 1/1.8" 4Megapixel progressive scan CMOS |
| Effective Pixels | 2688 (H) × 1520 (V) |
| RAM/ROM | 1 GB/128 MB |
| Scanning System | Progressive |
| Electronic Shutter Speed | Auto/Manual, 1/3 s–1/100000 s |
| Minimum Illumination | 0.001 Lux @F1.0 |

Lens

| | | | | | |
|----------------------|-----------------|---------------|--------------|-----------|----------|
| Lens Type | Fixed-focal | | | | |
| Mount Type | Board-in | | | | |
| Focal Length | 3.6 mm | | | | |
| Max. Aperture | F1.0 | | | | |
| Angle of View | H: 93°, V: 50° | | | | |
| Aperture Type | Fixed | | | | |
| Close Focus Distance | 2.0 m (6.56 ft) | | | | |
| DORI Distance | Lens | Detect | Observe | Recognize | Identify |
| | 3.6mm | 70 m (230 ft) | 28 m (91 ft) | 14m(46ft) | 7m(23ft) |

Pan/Tilt/Rotation

| | |
|-------------------------|---|
| Pan/Tilt/Rotation Range | Pan: 0°–355°; Tilt: 0°–75°; Rotation: 0°–355° |
|-------------------------|---|

Artificial Intelligence

| | |
|----------------------|---|
| Face Detection | Support face image capture |
| Perimeter Protection | Tripwire; intrusion (Recognition of vehicle and people); fast moving; loitering detection; parking detection and people gathering |
| People Counting | Support Line crossing/Region/Queueing people counting; Support 4 accesses independent detection, 4 areas independent detection |

General Intelligence

| | |
|----------------------|--|
| Event Trigger | Motion detection, Video tampering, Scene changing, Network disconnection, IP address conflict, Illegal Access, Storage anomaly |
| General Intelligence | Object Abandoned/Missing |
| Heat Map | Yes |

Video

| | |
|----------------------|--|
| Compression | H.265, H.264, H.264B, H.264H, MJPEG(sub stream) |
| Smart Codec | Yes |
| Streaming Capability | 3 Streams |
| Resolution | 2688 × 1520/2560 × 1440/2304 × 1296/1080P (1920 × 1080)/1.3M (1280 × 960)/720P (1280 × 720)/D1 (704 × 576/704 × 480)/VGA (640 × 480)/CIF (352 × 288/352 × 240) |

| | |
|--------------------|--|
| Frame Rate | Main Stream: 2688 × 1520 (1 fps–25/30 fps) 2560 × 1440 (1 fps–25/30 fps) 1920 × 1080 (1 fps–50/60 fps) |
| | Sub Stream: D1 (1 fps–25/30 fps) D1 (1 fps–50/60 fps) |
| | Third Stream: 1080P (1 fps–16 fps) |
| Bit Rate Control | CBR/VBR |
| Bit Rate | H.264: 32 Kbps–8192 Kbps H.265: 19 Kbps–8192 Kbps |
| Day/Night | Day/Night: Electronic Color/B/W |
| BLC Mode | BLC/HLC/WDR (140 dB) |
| White Balance | Auto/Natural/Street Lamp/Outdoor/Manual |
| Gain Control | Auto/Manual |
| Noise Reduction | 3D DNR |
| Motion Detetion | Off/On (4 Zone, Rectangle) |
| Region of Interest | Off/On (4 Zone) |
| Defog | Yes |
| Flip | 0°/90°/180°/270° |
| Mirror | Off/On |
| Privacy Masking | Off/On (4 Area, Rectangle) |

Audio

| | |
|-------------|------------------------------------|
| Compression | G.711a, G.711Mu, G.726, AAC, G.723 |
|-------------|------------------------------------|

Network

| | |
|---------------------|--|
| Ethernet | RJ-45 (10/100 Base-T) |
| Protocol | IPv4; IPv6; HTTP; HTTPS; TCP; UDP; ARP; RTP; RTSP; RTCP; RTMP; SMTP; FTP; SFTP; DHCP; DNS; DDNS; QoS; UPnP; NTP; Multicast; ICMP; IGMP; NFS; PPPoE; 802.1x; SNMP |
| Interoperability | ONVIF (Profile S/Profile G/Profile T); CGI; Milestone, Genetec; P2P |
| Streaming Method | Unicast/Multicast |
| Max. User Access | 20 Users |
| Edge Storage | NAS; FTP; SFTP Micro SD card 256 GB |
| Web Viewer | IE (versions newer than IE8), Chrome, Firefox, Safari (versions newer than Safari 12) |
| Management Software | WEB, CMS, P2P |
| Smart Phone | iOS, Android |

Certifications

| | |
|----------------|--|
| Certifications | CE-LVD: EN60950-1 CE-EMC: Electromagnetic Compatibility Directive 2014/30/EU FCC: 47 CFR FCC Part 15, Subpart B UL/CUL: UL60950-1 CAN/CSA C22.2 No.60950-1-07 |
|----------------|--|

Interface

| | |
|-----------------|--|
| Audio Interface | 1/1 channel In/Out |
| Alarm | 1 channel In: 5mA 5V DC 1 channel Out: 300mA 12V DC |

Electrical

| | |
|-------------------|--|
| Power Supply | DC 12V (±30%), PoE (802.3af) (Class 0) |
| Power Consumption | <4.4W |

Environmental

| | |
|----------------------|---|
| Operating Conditions | -30° C to +60° C (-22° F to +140° F)/Less than 95% RH |
| Storage Conditions | -30° C to +60° C (-22° F to +140° F) |
| Ingress Protection | IP67 |
| Vandal Resistance | IK10 |

Construction

| | |
|--------------|-------------------------------------|
| Casing | Metal |
| Dimensions | Φ122.0 mm × 88.9 mm (4.80" × 3.50") |
| Net Weight | 0.46 kg (1.01 lb) |
| Gross Weight | 0.62 kg (1.37 lb) |

Ordering Information

| Type | Part Number | Description |
|------------------------|---------------|--|
| 4MP camera | PAL | 4MP Pro AI Full-color Fixed-focal Dome Network Camera, WDR, PAL |
| | NTSC | 4MP Pro AI Full-color Fixed-focal Dome Network Camera, WDR, NTSC |
| Accessories (optional) | PFA137 | Junction box |
| | PFB200C | Inceiling Mount |
| | PFA200W | Rain Shade |
| | PFA123 | Junction box |
| | PFB203W | Wall Mount |
| | PFA152-E | Pole Mount |
| | PFA106 | Mount Adapter |
| PFB220C | Ceiling Mount | |

Accessories

Optional:



PFA137
Junction box



PFB200C
Inceiling Mount



PFA200W
Rain Shade



PFA123
Junction box



PFB203W
Wall Mount



PFA152-E
Pole Mount



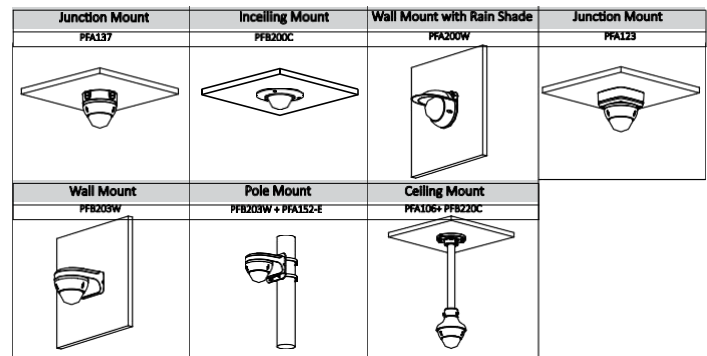
PFA106
Mount Adapter



PFB220C
Ceiling Mount



LR1002
ePoE Over Coax
Converter



Dimensions (mm[inch])

